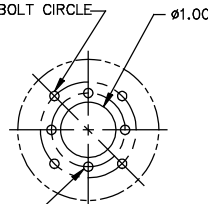
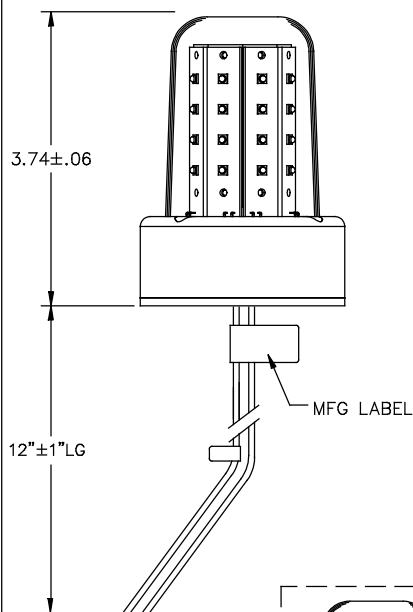


4X#6-32 MTG HOLES
EQUALLY SPACED ON
A Ø1.625 BOLT CIRCLE

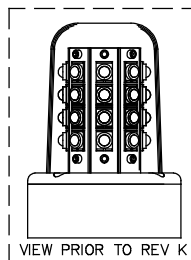


4X#6-32 MTG HOLES
EQUALLY SPACED ON
A Ø1.250 BOLT CIRCLE

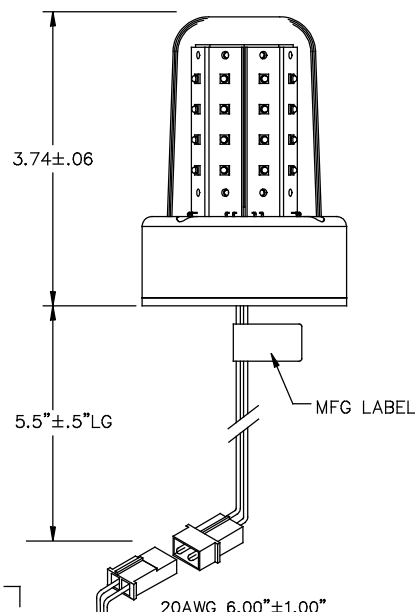
SUGGESTED MOUNTING HOLE PATTERN(S)



-01 18AWG 12"±1"LG
(+)28VDC WHITE 18GA
(-)GROUND BLACK 18GA
MIL-W-22759/43



VIEW PRIOR TO REV K



20AWG 6.00"±1.00"
MIL-W-22759/43

-51 CONNECTOR WIRING AMP 1-480319-0		
POS. 1	(+) 14VDC	RED
POS. 2	(-) GROUND	BLK

* CUSTOMER ORDER NUMBER

REV	ECN	DESCRIPTION	DATE
A	35542	ADD SHEET 5	12/21/07
B	35835	REVISED NOTE 3	3/5/08
C	37144	SEE SHEET 3	10/22/08
D	37396	ADD NEW MODELS	12/9/08
E	39448	SEE SHEETS 4 & 6	12/2/09
F	40458	SEE SHEET 9	4/20/10
G	40815	ADD THE -10	6/21/10
H	42869	ADD THE -19	5/16/11
J	47685	ADD THE -40	10/29/13
K	48450	NEW LED CONFIGURATION REDUCED CURRENT	4/22/14
L	49810	SEE SHEET 10 OF 12	1/21/15
M	50249	ADD THE -11	4/27/15

NOTES:

- SPECIFICATIONS:
 INPUT VOLTAGE -01: 28VDC NOMINAL
 INPUT CURRENT -01: 0.45 AMPS AVERAGE
 2.0 AMPS PULSE @ .3 SECONDS
 INPUT VOLTAGE -51: 14VDC NOMINAL
 INPUT CURRENT -51: 0.90 AMPS AVERAGE
 4.0 AMPS PULSE @ .3 SECONDS
 LED COLOR: AVIATION RED
 FLASHRATE: 45±5 PER MIN.
 WEIGHT: 0.65 lbs REF
 MATERIAL: (-00) HOUSING: 6061-T6 ALUMINUM CLEAR IRIDITE
 LENS RETAINER: 6061-T6 ALUMINUM CLEAR IRIDITE
 LENS: POLYCARBONATE (CLEAR) HARDCOATED
- UNITS MEET THE MINIMUM REQUIREMENTS STATED IN FAR PARTS 23 FOR ANTI-COLLISION LIGHT SYSTEMS USED ON FIXED WING AIRCRAFT FOR WHICH TYPE CERTIFICATE WAS APPLIED FOR AFTER APRIL 1, 1957 TO AUGUST 10, 1971.
 *REF: CLASS III (100 CANDELA EFFECTIVE INTENSITY) OF SAE AS 8017A MINIMUM PERFORMANCE STANDARDS.
- UNITS MEET THE MINIMUM REQUIREMENTS STATED IN FAR PARTS 27 & 29 FOR ANTI-COLLISION LIGHT SYSTEMS USED ON ROTORCRAFT. REF. WHELEN INSTALLATION GUIDE.
 *REF: CLASS I (150 CANDELA EFFECTIVE INTENSITY) OF SAE AS 8017A MINIMUM PERFORMANCE STANDARDS.
- UNITS COMPLY WITH THE FOLLOWING ENVIRONMENTAL TEST REQUIREMENTS IN ACCORDANCE WITH RTCA/DO-160D CHANGE 1
 TEMPERATURE/ALTITUDE: SECT. 4, CAT. D2
 TEMPERATURE VARIATION: SECT. 5, CAT. S2
 HUMIDITY: SECT. 6, CAT. C
 SHOCK: SECT. 7, CAT. A
 VIBRATION: SECT. 8, CAT. U2, CURVES F, F1
 CAT. R, CURVE E, E1 AND CURVE 7/J
 EXPLOSIONPROOF: SECT. 9, CAT. H
 WATERPROOFNESS: SECT. 10, CAT. S
 MAGNETIC EFFECTS: SECT. 15, CAT. Z
 POWER INPUT: SECT. 16, CAT. B
 VOLTAGE SPIKE: SECT. 17, CAT. B
 AUDIO FREQUENCY CONDUCTED SUSCEPT: SECT. 18, CAT. B
 RADIO FREQUENCY SUSCEPTIBILITY: SECT. 20, CAT. Q
 RADIATED AND CONDUCTED EMISSIONS: SECT. 21, CAT. H
 LIGHTNING: SECT. 22, LEVEL A4C4
 ICING: SECT. 24, CAT. A
 FIRE, FLAMMABILITY: SECT. 26, CAT. C
- TEST PER ATP 06029
- TSO-C96a, CLASS I, III

1	-	01-0271079-51	MODEL 7108051 LOWER FINAL ASSEMBLY (14V)
-	1	01-0271079-01	MODEL 7108001 UPPER FINAL ASSEMBLY (28V)
*		01-0771080-51	MODEL 7108051 LOWER LED ANTI COLL LT (14V)
*		01-0771080-01	MODEL 7108001 UPPER LED ANTI COLL LT (28V)
		PART NUMBER	DESCRIPTION

THIS DRAWING IS PROPRIETARY TO THE WHELEN ENG. CO. INC. ANY REPRODUCTION, DISCLOSURE OR USE OF THIS DRAWING WITHOUT WRITTEN AUTHORIZATION FROM WHELEN ENG. CO. INC. IS PROHIBITED		WHELEN® ROUTE 145 CHESTER, CT 06412-0684 ENGINEERING COMPANY INC. TELEPHONE (860)526-9504	
MATERIAL		MODEL 71080() SERIES LED ANTI COLLISION LT	
FINISH			
TOLERANCE: UNLESS OTHERWISE SPECIFIED	DR. KCT	SCALE	DATE
ANGLES ±1/2"	.XX=±.03	NONE	9/19/07
	.XXX=±.015		RELEASE DATE
			9/25/07
© 2007 WHELEN ENG. CO. INC. CAGE CODE 10402	APP. TMF	DWG NO.	REV
		71080	M
			ISSUE
			SHEET
			OF
			2
			13