

PRE - STALL WARNER
FOR USE ON EXPERIMENTAL AIRCRAFT ONLY

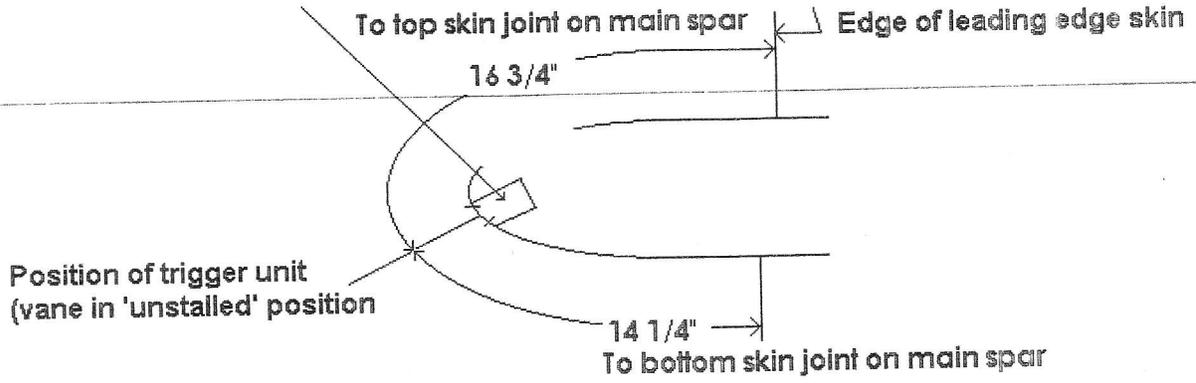
INSTALLATION INSTRUCTIONS

FOR THE MARK 2 VERSION RV9/A MODELS

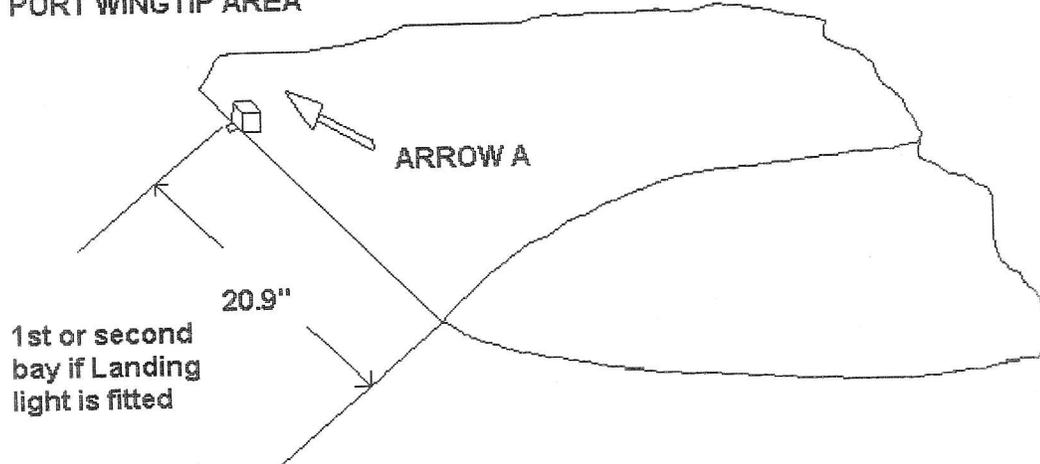
1. Mark the position of the STALL WARNER on the wing as shown on diagram 1.
2. Mark screw holes and the square hole for the vane to fit through as shown on diagram 2.
3. Drill holes, chain drill and file smooth the vane slot.
4. Insert the STALL WARNER from inside via wing tip or inspection hatch dependant on the position fitted.
5. Connect the STALL WARNER to your aircraft's wiring harness using 0.25" PUSH-ON connectors
6. Once installed the position of the vane and the speed at which the STALL WARNER sounds can be adjusted by trial and error. Bend the vane in small increments to alter the triggering speed.
7. If the sounder stays on for too long after the stall the vane should be shortened to allow it to rest earlier.
8. The unit should be tested before every flight.

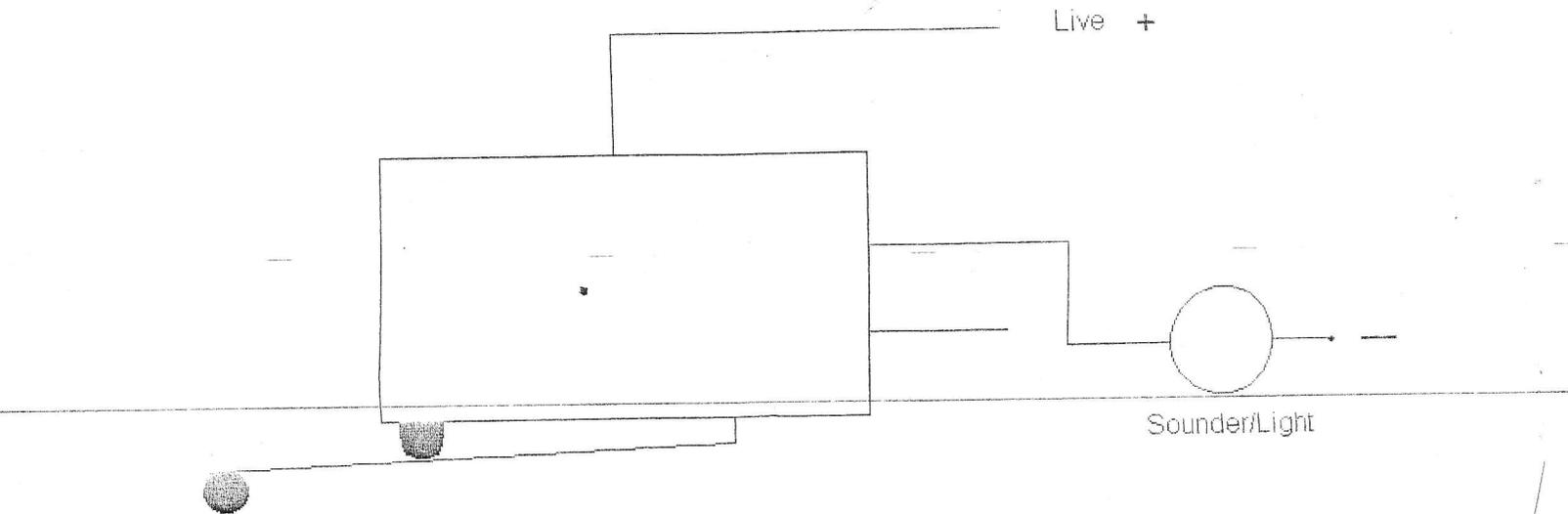
THIS STALL WARNER IS ONLY SUITABLE FOR THE RV9/A MODELS.

INSTALLATION OF STALL WARNING LOCATION ON RV9/IRV9A



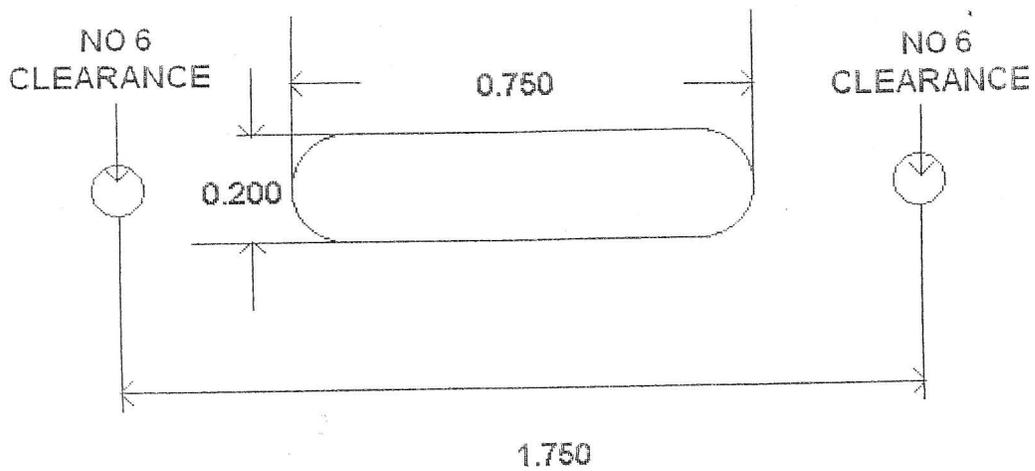
PORT WING TIP AREA





We have fitted a panel mounted multi tone sounder through a 1" hole and we can hear it even if we are wearing headsets.

It can also switch a visual warning light.



NOT TO SCALE